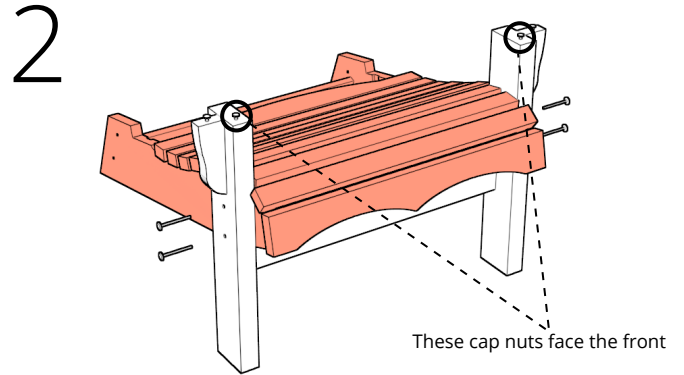
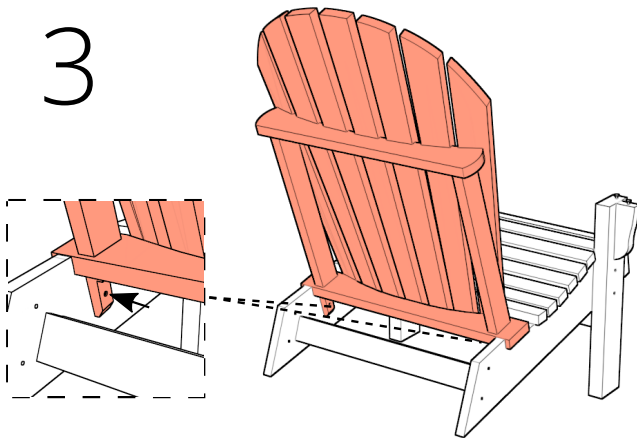


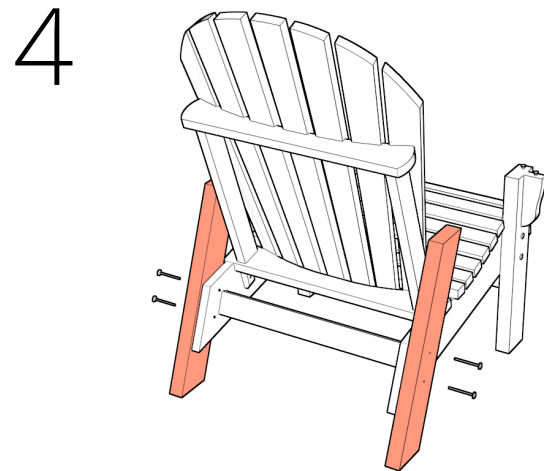
Insert the front leg support between the front legs, sliding it all the way down.



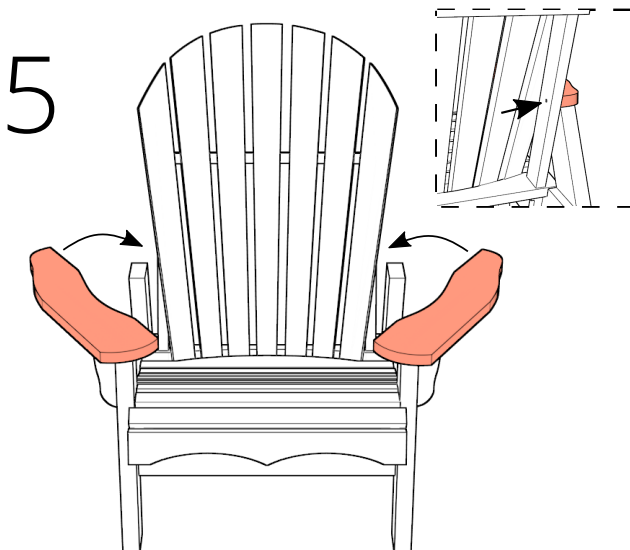
Attach the front legs to the seat. Ensure the legs are facing the direction shown. Fasten with 4 long bolts.



Slide the back into place and secure it to the seat using 2 short bolts.



Attach the back legs to the seat using 4 long bolts.



Match the key-holes on the arms onto the front legs. Make sure the arms are level on top of the legs before pivoting them 30° into place. Bolt the arms onto the back legs with 2 short bolts.



All done!